

SST Safety Shower & Eye Washer Technical Data Sheet

ESS989

The combination safety shower & eyewash unit saves space and fits easily into any work environment, allowing workers to flush away hazardous substances that can cause injury. The shower valve operates quickly by a pull rod with a round handle.

Shower provides a superior washdown with a more even spray pattern. Eye and face wash sprays with integral flip dust covers, are operated by a large push handle.

Safe, steady water flow under varying water supply conditions from 0.2-0.8 Mpa is assured by integral flow control valve assembly.

Technical Details

- **Material:** 304 Stainless Steel
- **Shower Head:** 10" 304 Stainless Steel Shower Head
- **Eyewash Bowl:** 11-1/2" 304 Stainless Steel Eyewash Bowl
- **Spray Head:** ABS plastic in safety yellow colour
- **Valves:** 1" SST shower ball valve
1/2" SST eyewash ball valve
- **Pedestal:** 304 Stainless Steel Pedestal
- **Foot Treadle:** 304 Stainless Steel
- **Flow Valve:** Built in to avoid injury
- **Water working pressure:** 0.2MPA-0.8MPA
- **Flow control:** 76L/Min
- **Standard:** EN 15154-1&2, AS 4775:2007, ANSI Z358.1-2014
- **Gross Weight:** 18.8KGS
- **Net Weight:** 17.5KGS
- **Dimension:** 91cmx41cmx30cm

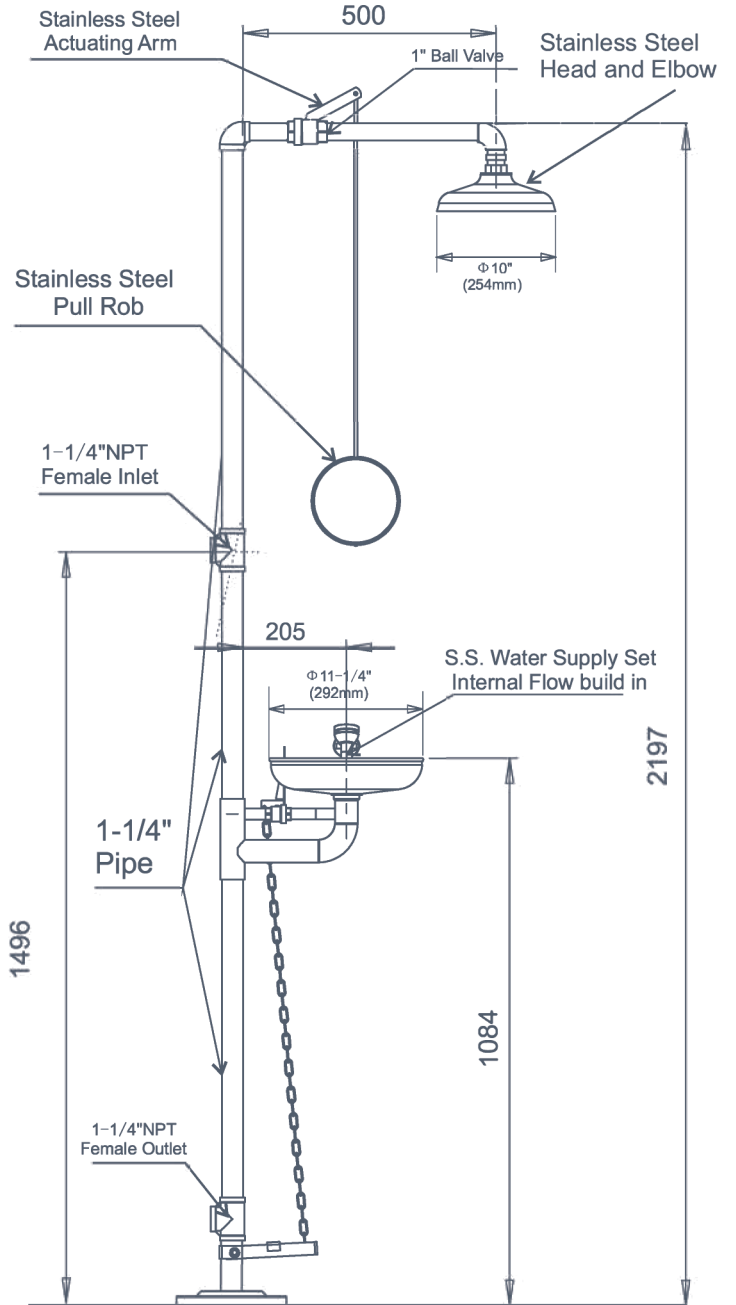
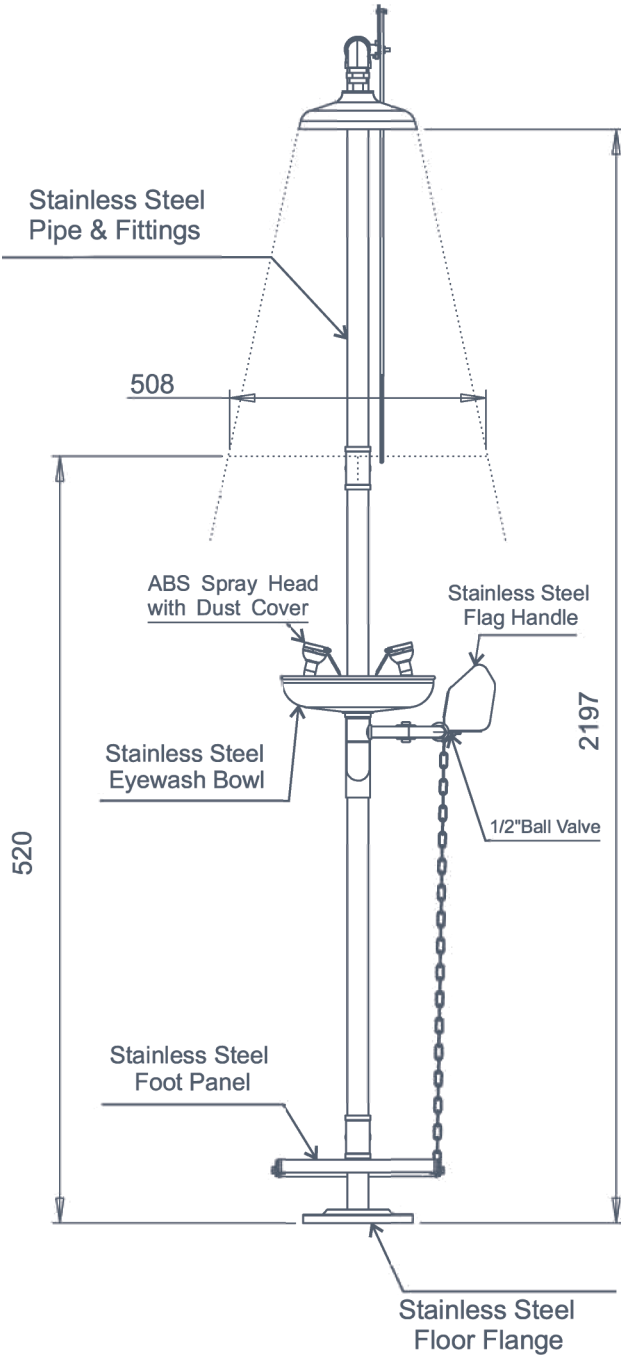


there's safe and there's Maxisafe.

SST Safety Shower & Eye Washer

ESS989

Unit: MM



AS 4775-2007
ANSI Z358.1-2014
EN15154-1,2&4



there's safe and there's Maxisafe.

05/2019 E&OE.

DISTRIBUTED BY

www.maxisafe.com.au

© Maxisafe is a registered trademark of Techware Pty Ltd